

## Volkswagen > Phaeton > 2004-2006

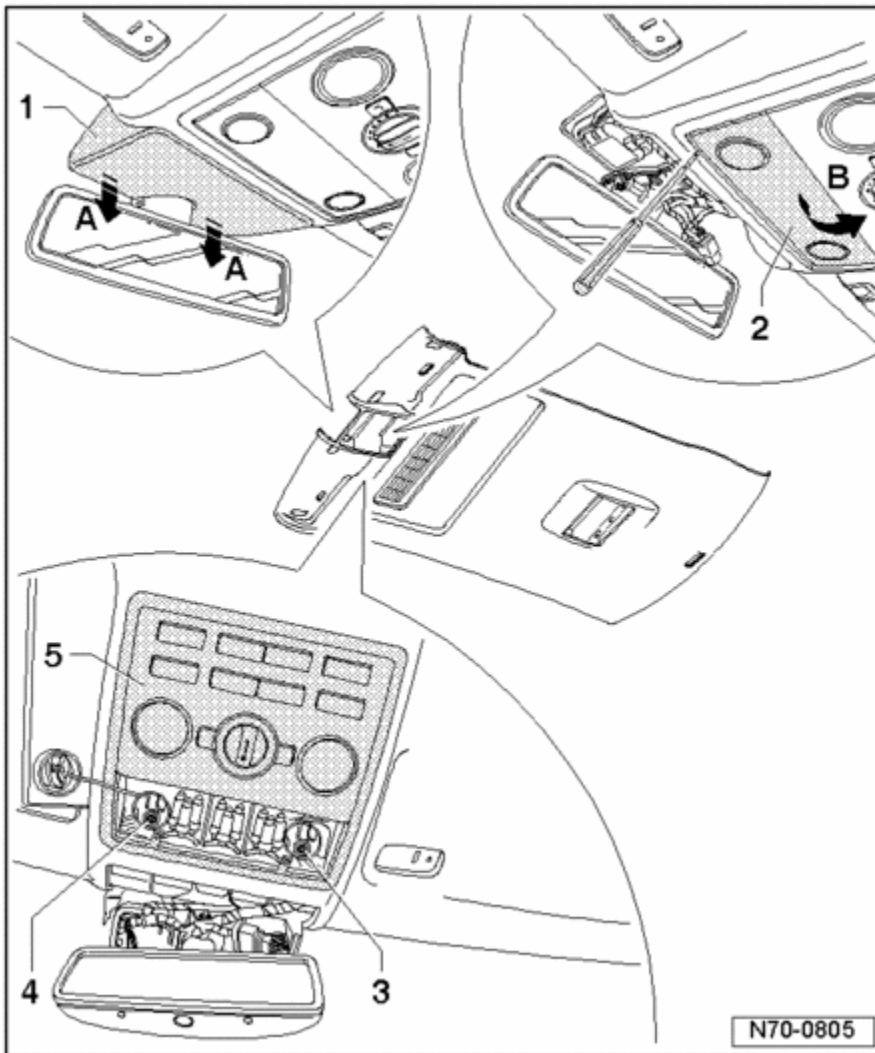
### Body Interior

#### 70 - Roof trim

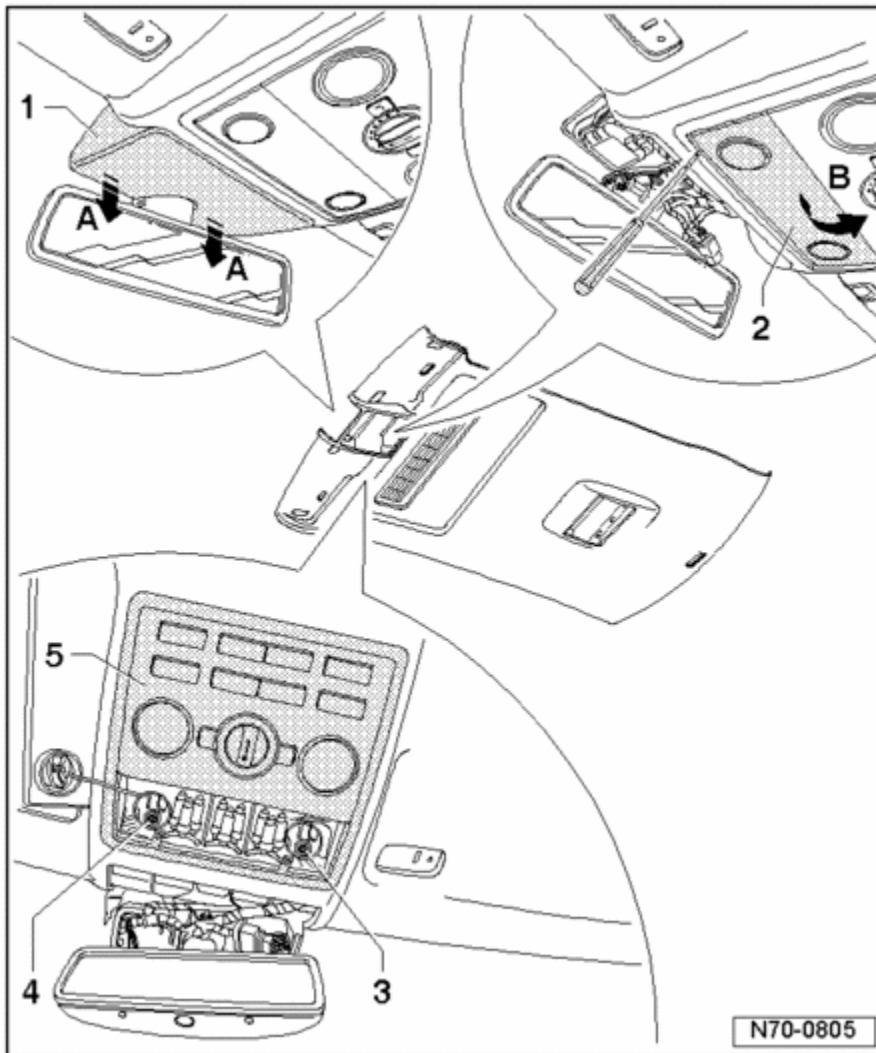
### Headliner with sliding/tilt sunroof, removing and installing

#### Removing

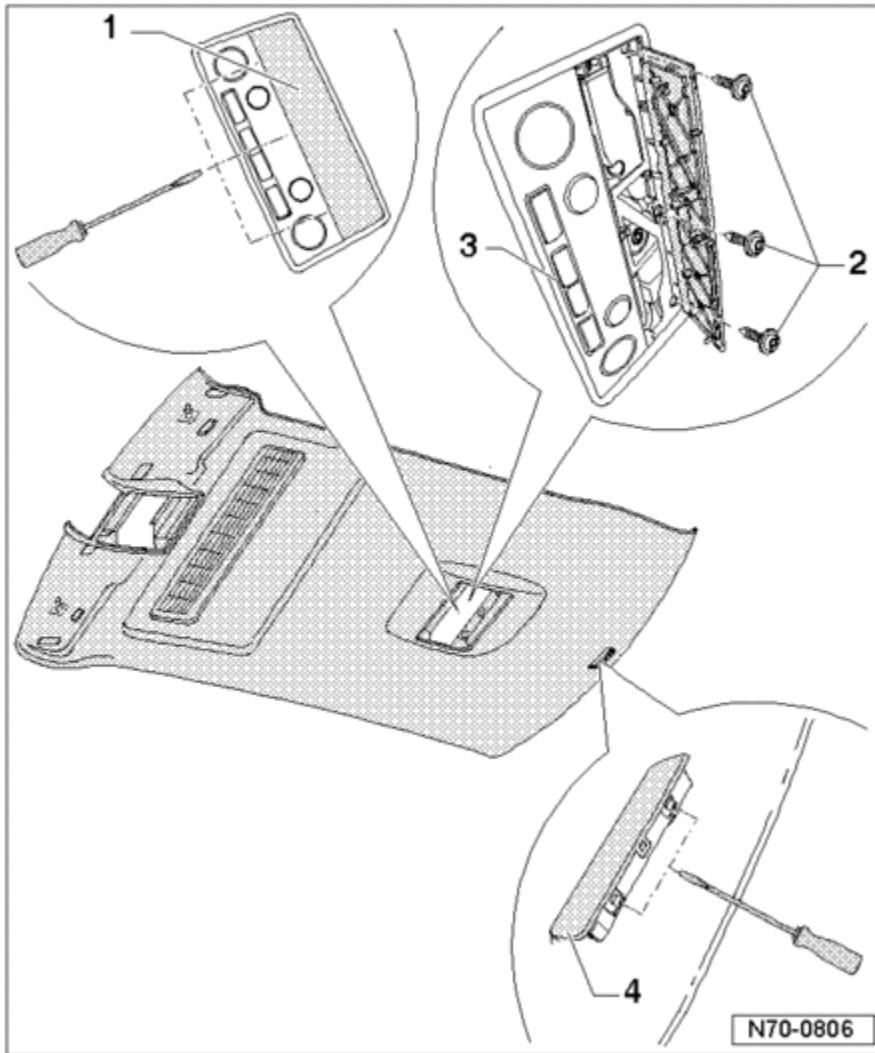
- Switch off ignition.
- Remove upper A-pillar trims ⇒ [Upper A-pillar trim, removing and installing](#) .
- Remove upper C-pillar trims ⇒ [Upper C-pillar trim, removing and installing](#) .
- Remove sun visors ⇒ [Sun visor, removing and installing](#) .
- Pull cover - **1** - in direction of arrow - (**arrows A**) - out of the locking tabs.
- Using a small screwdriver, unclip the cover - **2** - in direction of arrow - (**arrow B**) - .
- Remove bolts - **3** - and - **4** - (1.5 Nm).



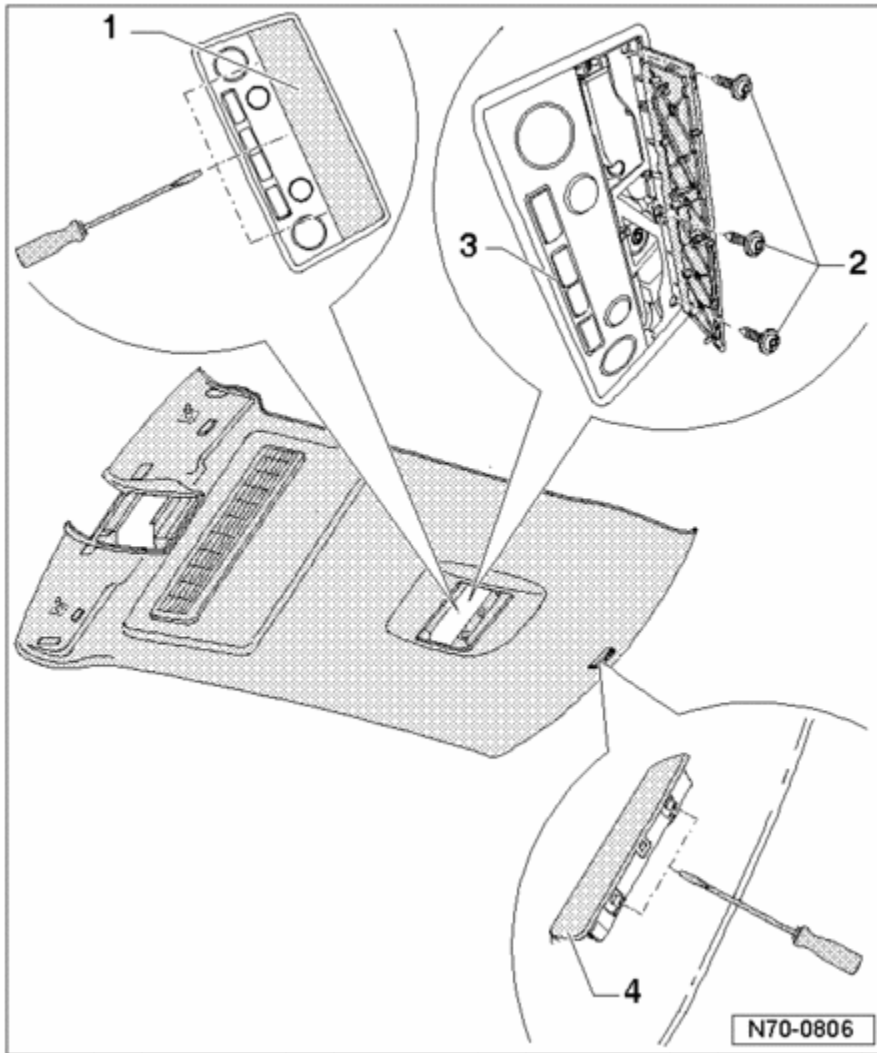
- Remove the front illumination and control unit - 5 - from the headliner and disconnect the wiring harnesses.



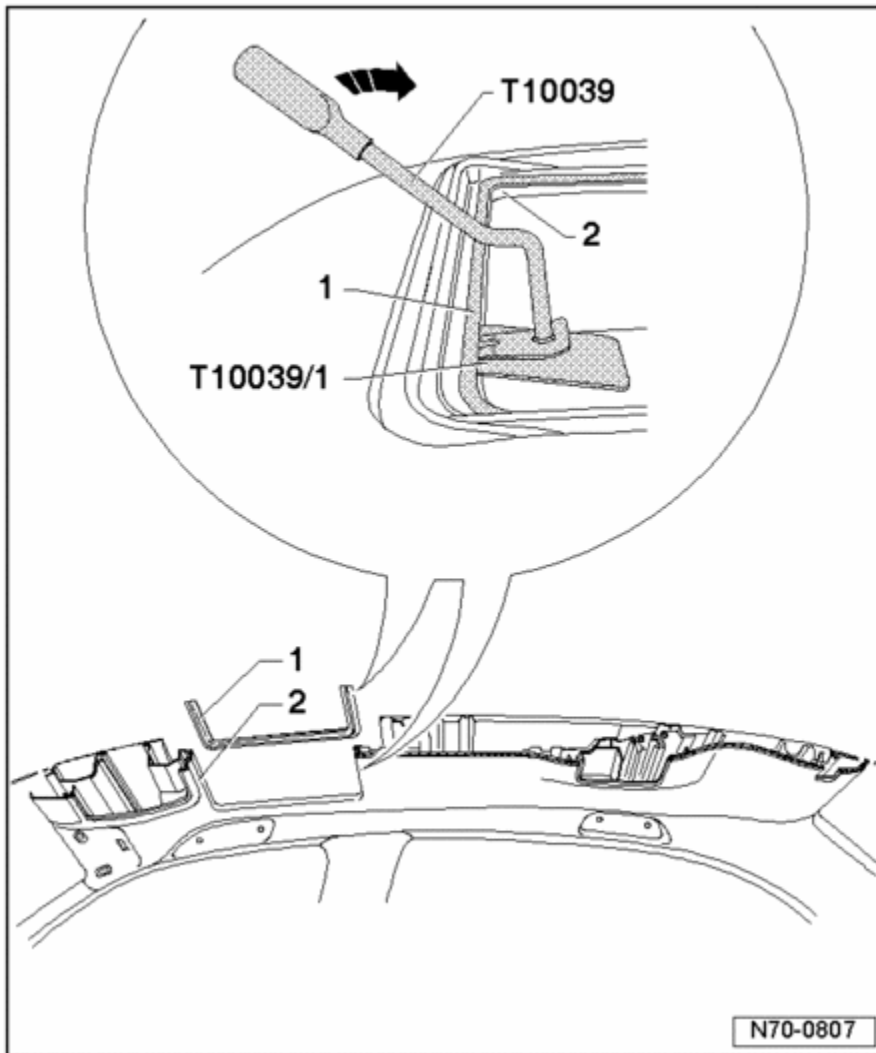
- Using a small screwdriver, release the locking tabs of the cover - **1** - .
- Remove three bolts - **2** - (1.5 Nm).
- Remove the rear illumination and control unit - **3** - from the headliner and disconnect the wiring harnesses.



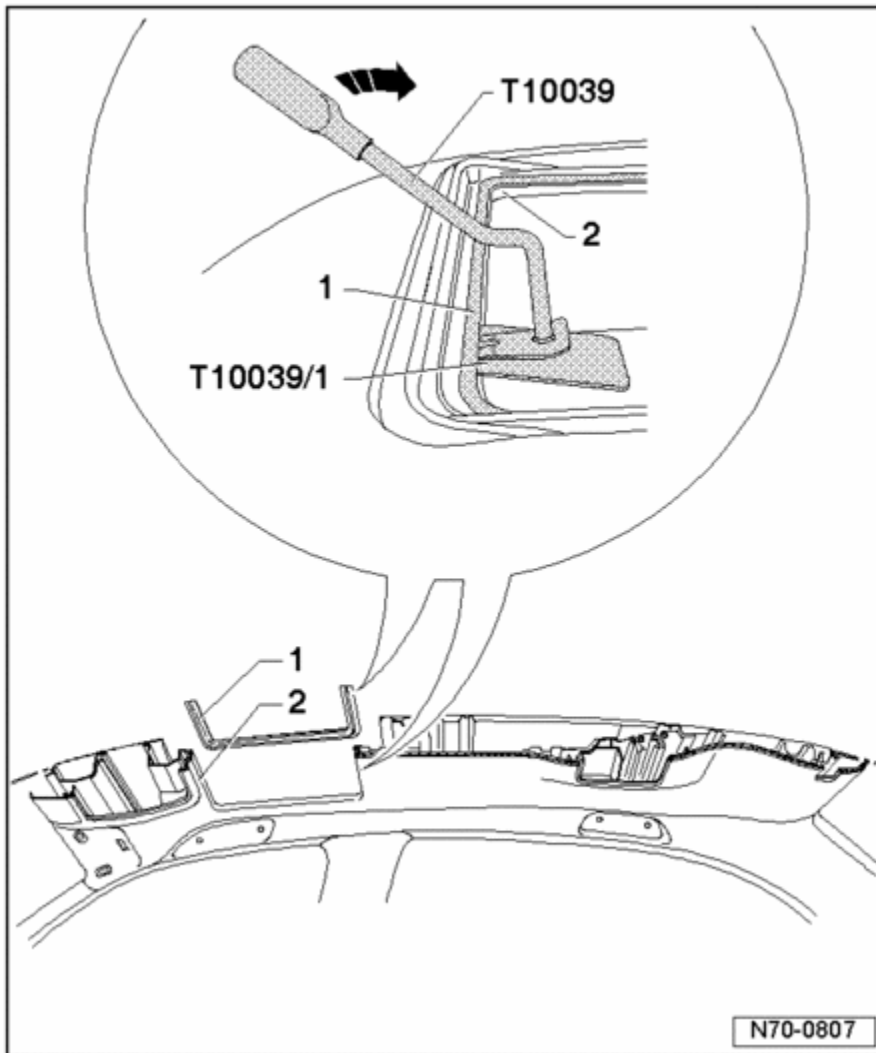
- Using a small screwdriver, release the locking tabs from the parking assist system warning buzzer - **4** - and disconnect the wiring harnesses.



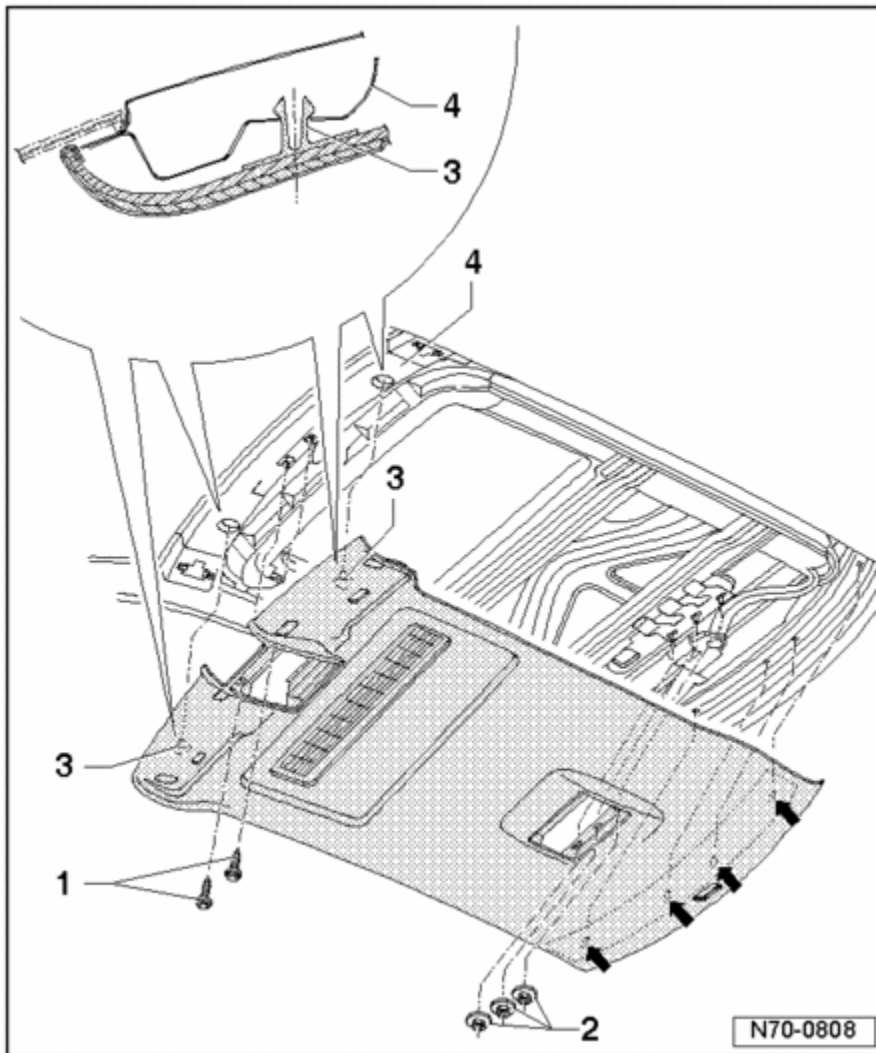
- Push the wedge T10039/1 between frame - 1 - and headliner - 2 - .



- Using the release lever T10039 , disconnect the frame in - **direction of the arrow** - from the headliner, the whole way around.

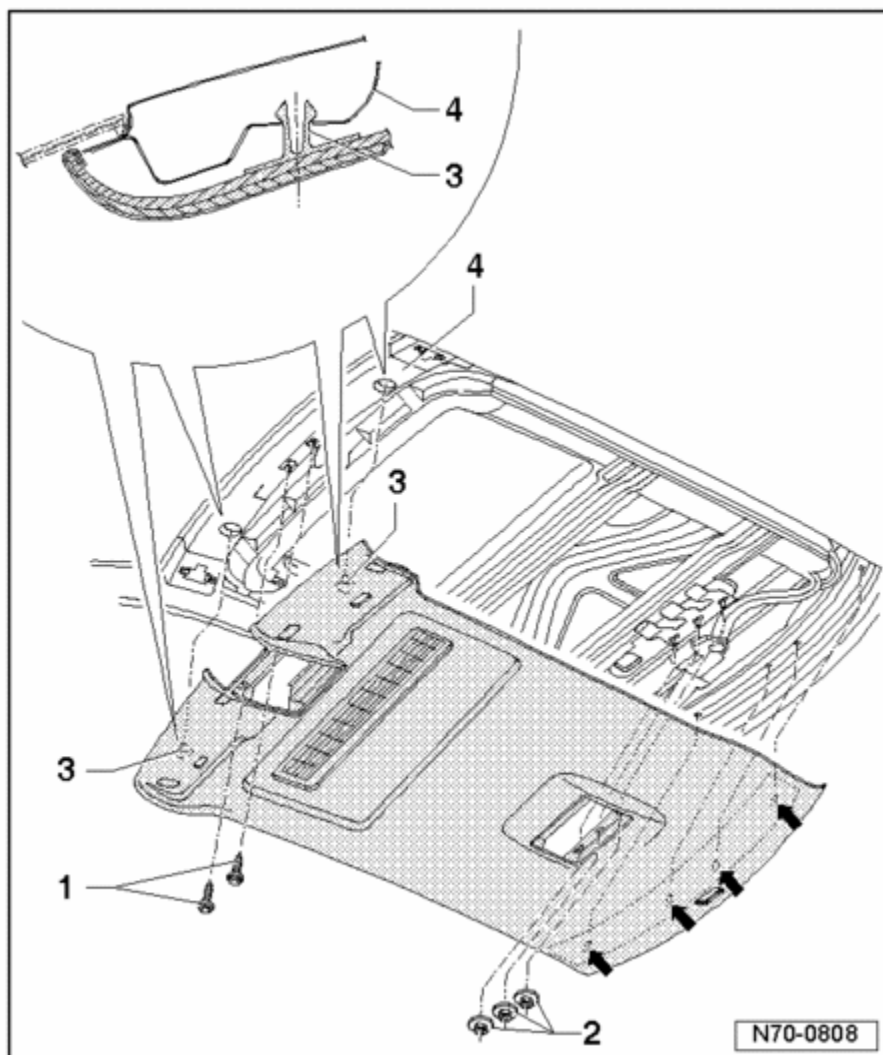


- Remove the two bolts - **1** - (1.5 Nm).
- Remove three nuts - **2** - (1.5 Nm).
- Release the centering tabs on the left and right of headliner - **3** - from the roof crossmember - **4** - .
- Near the rear window, the headliner is attached with four clips - **arrows** - to the roof crossmember. Release the headliner in this area.



- Adjust the front seatbacks as low as possible and remove the headliner from the vehicle through the rear door with the help of a second technician.





## Installing

- Installation is performed in the reverse order of removal.

*Copyright © 2006 Volkswagen of America, Inc. and Bentley Publishers. All rights reserved. Last processed:*